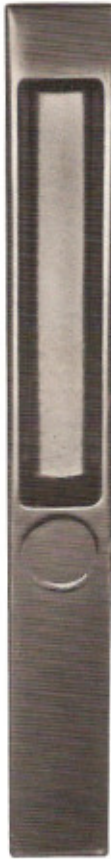


# Patio door hardware

## 7129 Series exterior pull

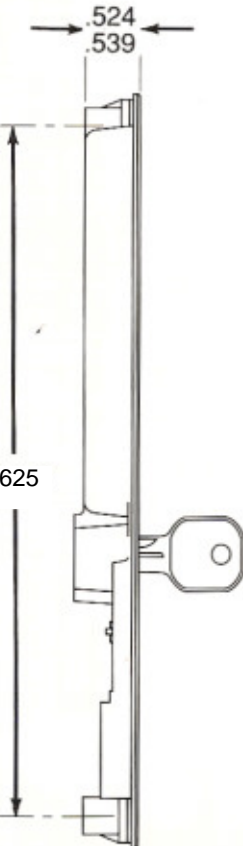


Locking

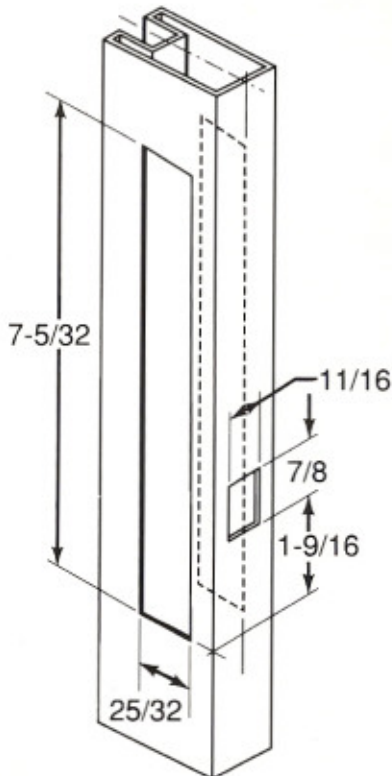


Non-locking

Available with knockout plug installed or hole cast solid.



Suggested cutout detail



## 7130 Series interior pull



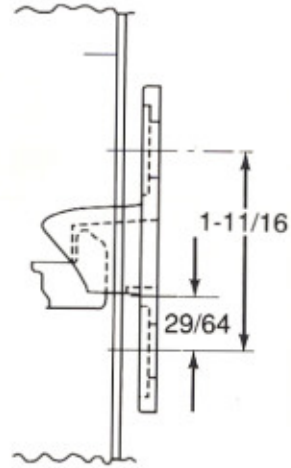
With security lock



Without security lock

SERIES	DOOR THICKNESS
7131	63/64" - 1-1/8"
7130	1-9/64" - 1-5/16"
7142	1-21/64" - 1-1/2"

### 7130-10 keeper

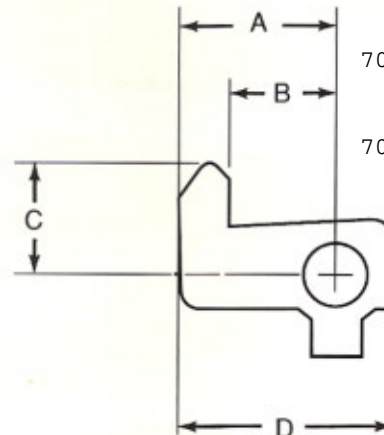


KEEPER SCREWS

7027G1 #8 X 1/2" PH

T R HD

## 7130 Series bolts (see chart below)



PATIO HDWR SCREWS

7029G1 10-32 x7/8" PH

OV MACH

7048G1 10-32 x1 1/8" PH

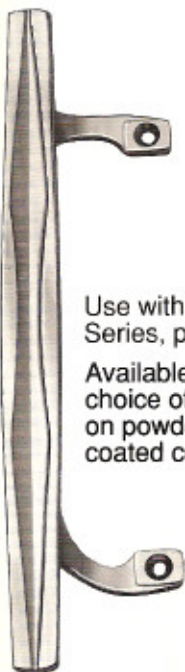
F H M/S

Please specify part number from this chart.

A	B	C	D	PART NO.
1.115-1.120	57/64	35/64	1-25/64	7130B-4
.620-.625	25/64	35/64	29/32	7130C-4
.682-.687	29/64	35/64	31/32	7130E-4
.745-.750	33/64	35/64	1-1/32	7130G-4
.870-.875	41/64	35/64	1-5/32	7130K-4
.995-1.000	49/64	35/64	1-9/32	7130P-4
.495-.500	17/64	35/64	25/32	7130X-4

# Patio door pulls

## 7128 Series\*



Use with 7130 Series, page 14.  
Available in wide choice of baked-on powder coated colors.

## 7136 Series\*



Die cast brackets with wood handle assembled. Stained and varnished.

## 7139 Series\*

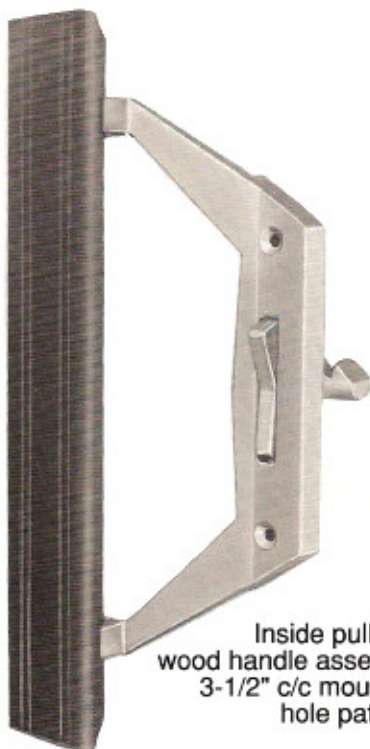


Rolled form, vinyl-covered grip.

## 7140 Series\*



## 716 Series

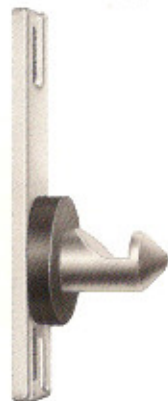


Inside pull with wood handle assembly  
3-1/2" c/c mounting hole pattern.

Outside pull

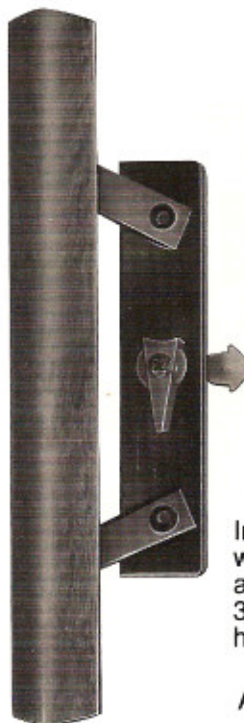


Keeper



Also available as key locking.

## 702 Series



Inside pull with wood handle assembly.  
3-15/16" c/c mounting hole pattern.

Outside pull



Keeper



Also available as key locking.

\*Use any of these interior pulls with the 7130 series, page 14.